

KTest

更に上のクオリティ 更に上のサービス



問題集

<http://www.ktest.jp>

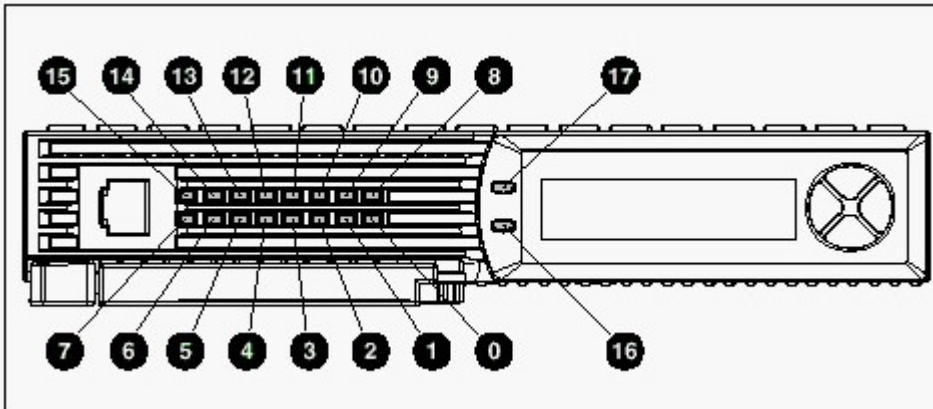
1年で無料進級することに提供する

Exam : **HP0-238**

Title : Supporting the MSA1000
and SCSI JBODS

Version : DEMO

1.Click the Exhibit button. Which LED on the MSA1000 controller indicates a failure on a configured hard disk?



- A.LED 9
- B.LED 15
- C.LED 16
- D.LED 17

Correct:B

2.The MSA1000 controller display module can hold up to 100 messages. Once the maximum is reached, the older messages will be ____.

- A.copied to the connected host using ACU-XE
- B.copied to the connected host using the serial line
- C.deleted
- D.copied to the connected metadata part of the disks

Correct:C

3.The customer has a single controller MSA1000 configuration. What is the recommended action to replace the failed controller?

- A.Power down the MSA1000. Remove the failed controller and install the old cache module in the replacement controller.
- B.Push the right arrow push button on the front panel to clear the cache of the controller and replace the failed controller.
- C.Replace the failed controller online, with a new cache installed.
- D.Push the left arrow push button on the front panel to clear the cache of the controller and replace the failed controller.

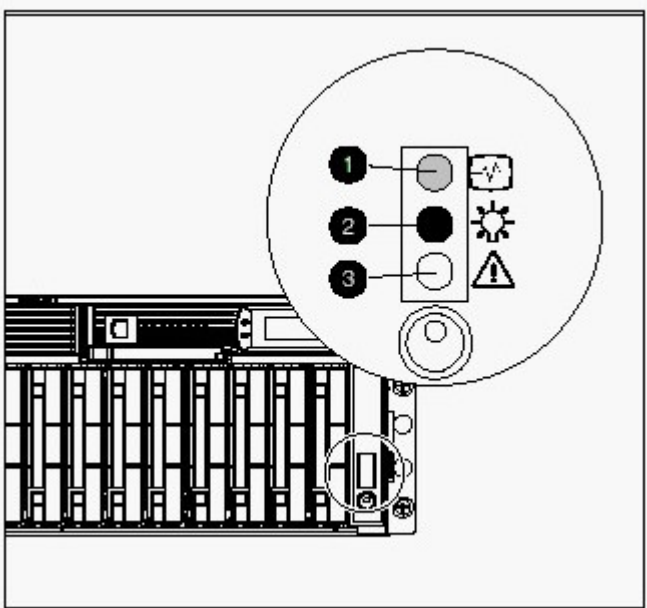
Correct:A

4.What is the recommended action to take when a controller fails in a redundant MSA1000 configuration?

- A.Power off the MSA1000 and replace the failed controller.
- B.Replace the failed controller online.
- C.Push the right arrow push button on the front panel to failover the controller and replace the failed controller.
- D.Modify the zoning so that the MSA1000 is not accessible during the online replacement of the failed controller.

Correct:B

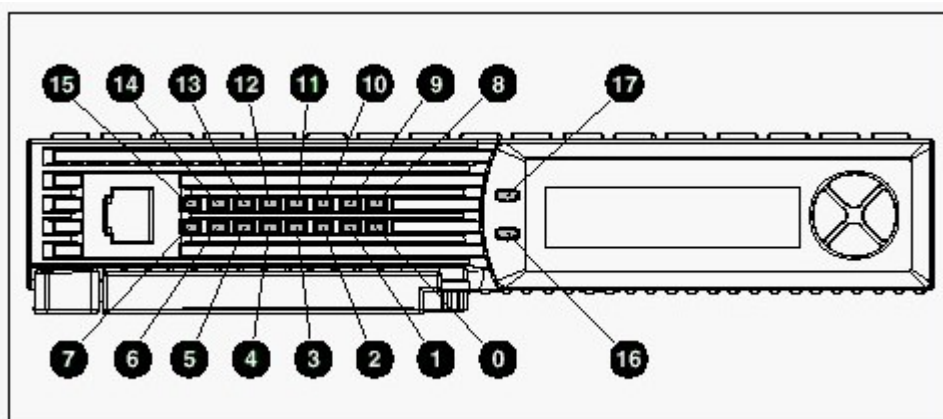
5.Click the Exhibit button. The EMU in a MSA1000 has detected a temperature problem. Which LED of the enclosure status indicators reports the problem and how does the LED display the error condition?



- A.LED 1 is off.
- B.LED 2 is amber.
- C.LED 3 is off.
- D.LED 3 is amber.

Correct:D

6.Click the Exhibit button. Which LED on the MSA1000 controller indicates an error message was sent to the controller display?



- A.LED 9
- B.LED 15
- C.LED 16
- D.LED 17

Correct:D

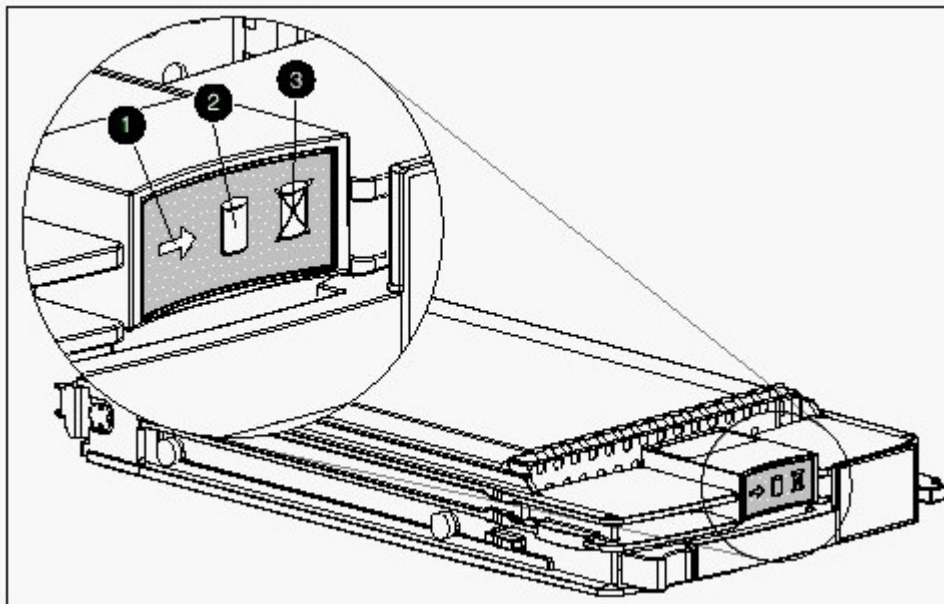
7.You are assigning DISK109 as a spare drive to array B containing logical drives 2 and 3. What is the correct CLI (command line interface) command?

- A.ADD SPARE UNIT=2 DISK109

- B.ADD SPARE ARRAY B DISK109
- C.SET SPARE ARRAY B DISK109
- D.SET SPARE UNIT 3 DISK109

Correct:A

8.Click the Exhibit button. On an MSA1000 disk, LEDs 1 and 2 are OFF, and LED 3 is ON. What is the possible cause for the status and which action should you take?.



- A.The drive is part of the selection of the array configuration utility. Do not remove this drive without verifying the configuration.
- B.The array is rebuilding. Do not remove this drive without verifying the configuration.
- C.The array is performing an online expansion. Do not remove this drive without verifying the configuration.
- D.The drive failed and has been taken offline. You can remove the drive.

Correct:D

9.You are replacing a defective power supply in a redundant MSA1000 configuration. Which statement is correct?

- A.Remove the power supply. Note the part number of the unit and order the replacement part. Install the replacement part when it arrives.
- B.Power off the MSA1000 during replacement to reduce the risk of personal injury.
- C.Replace both power supplies at the same time because they contain the cache battery assembly.
- D.Removing a power supply significantly changes the airflow in the cabinet. The remaining power supply will shutdown the array after 5 minutes.

Correct:D

10.The customer has a redundant MSA1000 configuration. Identify the correct statement about replacing an array accelerator (cache) module.

- A.The array accelerator modules in both controllers must be the same size.
- B.The array accelerator module can be replaced by a larger one. The extra space will not be used.
- C.The array accelerator module can be replaced by a smaller one. The cache will be switched off.
- D.If you have only different size modules available, you must power off the array during replacement.

Correct:A

