

KTest

更に上のクオリティ 更に上のサービス



問題集

<http://www.ktest.jp>

1年で無料進級することに提供する

Exam : **600-601**

Title : Managing Industrial
Networks with Cisco
Networking

Version : Demo

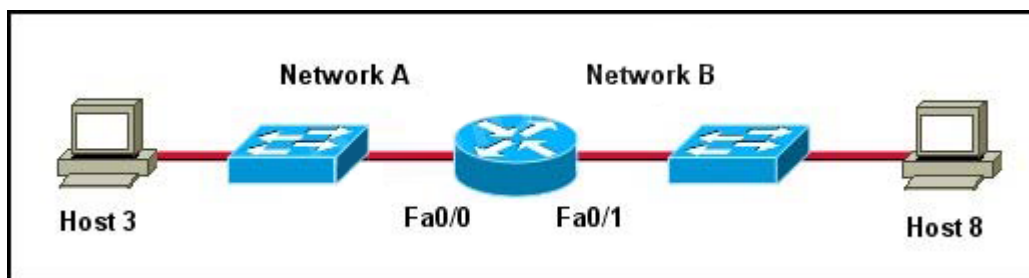
1. A small manufacturing company has a Class C network address on the plant floor and needs to create five subnets, each accommodating 25 endpoints.

Which subnet mask needs to be configured?

- A. 255.255.240.0
- B. 255.255.255.128
- C. 255.255.255.192
- D. 255.255.255.224
- E. 255.255.255.240
- F. 255.255.255.248

Answer: D

2. Refer to the exhibit.



Host 3 on Network A is sending data to Host 8 on Network B.

Which address is the default gateway of Host 3?

- A. the address of the switch interface that is connected to router interface Fa0/0
- B. the address of the switch interface that is connected to router interface Fa0/1
- C. the address of the host that is connected to Network A
- D. the address of the host that is connected to Network B
- E. the address of the router interface Fa0/0
- F. the address of the router interface Fa0/1

Answer: E

3. Which of the following correctly pairs the dotted decimal subnet mask with the correct number of binary bits that represent the subnet mask?

- A. 255.255.255.192 and /25
- B. 255.255.255.248 and /28
- C. 255.255.255.224 and /26
- D. 255.255.255.248 and /27
- E. 255.255.255.240 and /28
- F. 255.255.255.240 and /16

Answer: E

4. Refer to the exhibit.

```
interface FastEthernet1/1      !
switchport access vlan 102    interface Vlan101
!                               ip address 192.168.1.1 255.255.255.0
interface FastEthernet1/2      !
switchport access vlan 104    !
!                               interface Vlan102
interface FastEthernet1/3      ip address 192.168.2.1 255.255.255.0
switchport access vlan 103    !
!                               !
interface FastEthernet1/4      interface Vlan103
switchport access vlan 101    ip address 192.168.3.1 255.255.255.128
!                               !
interface FastEthernet1/5      !
switchport trunk native vlan 103 interface Vlan104
switchport mode trunk         ip address 192.168.3.129 255.255.255.128
!                               !
interface Vlan1               !
no ip address                 ip classless
```

Which port should a PLC with IP address 192.168.3.65 be plugged into in order to communicate to the rest of the network?

- A. FastEthernet1/1
- B. FastEthernet1/2
- C. FastEthernet1/3
- D. FastEthernet1/4
- E. FastEthernet1/5

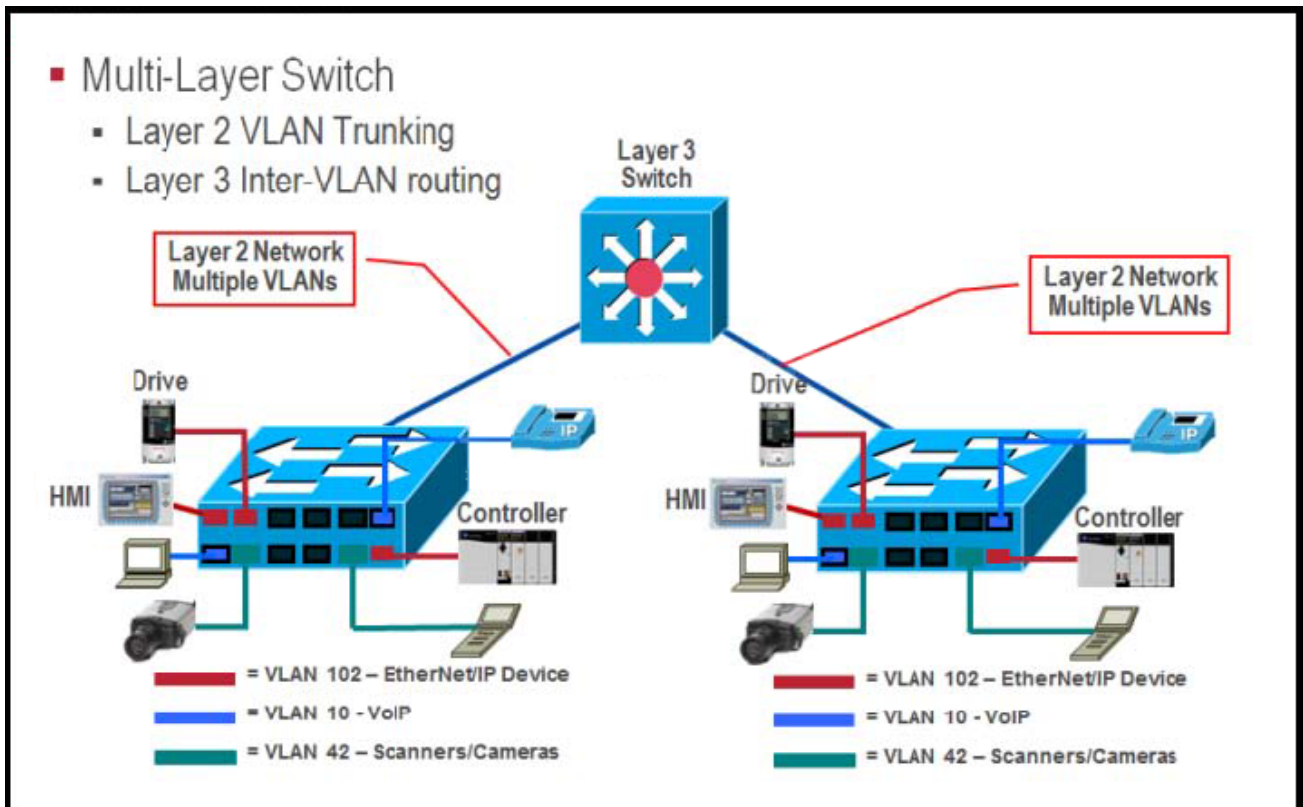
Answer: C

5. Which option allows an EtherNet/IP I/O device to be safely installed where it is subject to water immersion?

- A. The device is rated IP20 and the power wiring is installed securely to the terminal block.
- B. The device is rated IP67 and a power cordset is used.
- C. The device is rated IP67 and immersed to 10 m.
- D. The device is rated IP20 and immersed to 10 m.

Answer: B

6. Refer to the exhibit.



What are three traffic and interconnection requirements for the devices in the exhibit? (Choose three.)

- A. The EtherNet/IP drive connections are in a high-voltage area and need protection from electromagnetic noise, so shielded cable that is rated for 600 V is advised.
- B. EtherNet/IP devices such as the controller, drive, VoIP phone, and IP camera should be in the same VLAN.
- C. CIP traffic has the highest bandwidth requirement so it needs the highest QoS setting.
- D. EtherNet/IP drive traffic has high sensitivity to random drops, latency, and jitter.
- E. Real-time motion control and VoIP traffic can share the same VLAN with the proper QoS setting.
- F. IEEE1588 and PTP are important for ensuring real-time synchronization.

Answer: A,D,F

7.Exhibit:



Which two statements are correct for a safe wiring installation to the terminal block of the switch or endpoint? (Choose two.)

- A. Insert a green ground wire into the terminal block that is marked RT for return.

- B. Verify that DC power is live and within 24 VDC voltage range before starting wiring.
- C. Verify that the DC power circuit includes an overcurrent protective device that limits the DC current to 5 A.
- D. Because this is a low-voltage DC circuit, anyone can install this wiring without electrical training or qualifications.
- E. Connect the positive 24 VDC conductor to the V terminal and connect the negative 24 VDC return wire to the RT terminal.
- F. A ground wire can optionally be connected to the screw terminal on the front of the switch.

Answer: C, E

8.What are two benefits of a star network topology? (Choose two.)

- A. Disruption of the entire network is not required when adding new machines.
- B. Any problem which leaves the network inoperable can be traced to the central hub.
- C. This network type requires less cable as compared to linear bus topology.
- D. The performance of one of the numerous nodes cannot reflect on the performance of other nodes.
- E. The performance of the entire network is directly dependent on the performance of the hub.

Answer: A, B

9.Which three of the following components must be elected before the Spanning Tree Protocol can converge in a switched LAN? (Choose three.)

- A. designated ports
- B. duplex operating mode
- C. fast mode ports
- D. root bridge
- E. root ports
- F. BPDU priority

Answer: A,D,E

10.What is the purpose of Spanning Tree Protocol?

- A. to prevent routing loops
- B. to create a default route
- C. to provide multiple gateways for hosts
- D. to maintain a loop-free Layer 2 network topology
- E. to enhance the functions of SNMP

Answer: D